

AC360

Face & Fingerprint Access Control System

New model AC360 is popular in the market with slim design, with 2.4 TFT color and touch keypad, improved function that support WIFI, access control, bell, RFID, professional communication port with NO/NC relay, door open button, door magnet, wired doorbell, standard Wiegand 26/34 output/input, one-way alarm output, fire linkage input (fire alarm), etc.

Data be managed via TCP/IP, WiFi, and USB host port for data up / download to avoid the risk of accidental deletion, what's more, friendly AC software Taurus with perfect setting of time zone, tamper alert, anti pass etc.

- World-class algorithm, high-speed and accurately identify face.
- Face/Fingerprint/Pin/Card authentication.
- Suitable for the entrances and exits of office, factory, hotel, school, etc.
- Large capacity, user capacity upto 2,000, logs capacity upto 200,000.
- 2.4" Touch keypad.
- TCP/IP + USB Flash Drive Download + USB Communication.
- More helpful function like T9 input method, self-service inquiry, etc.
- Support door control & alarm function.
- USB flash drive for offline data management.
- Multi-language: English, Arabic, French, Spanish, Portuguese, etc.
- Multiple shifts setting.
- Professional AC software Taurus.
- Easy wall-mounting.
- Exact calculation of worked hours / overtime.



2.4 Inches Color Screen



Fingerprint Sensor



Touch Keypad

TECHNICAL SPECIFICATIONS

- Biometric Measurement Face & Fingerprint
- Face capacity 2,000
- Fingerprint capacity 10,000
- Log capacity 200,000
- CPU 400MHz
- LCD display 2.4" capacitive color screen 240 x 320 pixel
- Interface TCP/IP, USB (host and slave), 2 × Relay, wiegand in & out
- Language English, Arabic, French, Korean, Spanish, Portuguese, etc
- Attendance mode Face + Fingerprint or Face or Fingerprint or Password or Card or Fingerprint+Password or Card+Password or Fingerprint+Card+Password
- Voice instruction 16-bit Hi-Fi voice & sound indication
- Verification time < 0.8 second [1:N]
- FRR (False Rejection Rate) < 1%
- FAR (False Acceptance Rate) < 0.0001%
- Power source 12VDC/2A
- Operating temperature 0°C-45°C
- Operating humidity <90%RH
- Dimensions (mm) 202.9 x 72 x 31.2
- Weight (kg) 0.6
- Quantity/Carton 10 units
- Gross weight/carton (kg) 8.5
- Carton size 370 x 260 x 525
- Quantity / container 3200 units per 20' container

FACE & FINGERPRINT ACCESS CONTROL

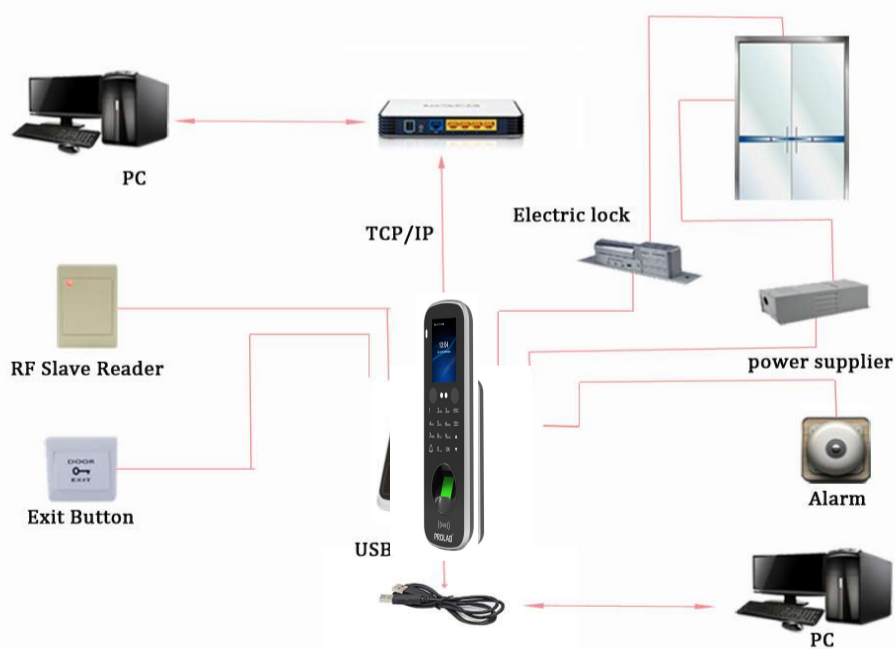
Brand: PROLAB
Model: AC360
Software: eTime AC Software

OPTIONAL FUNCTION:

- RF card 125kHz EM
- WiFi 2.4GHz

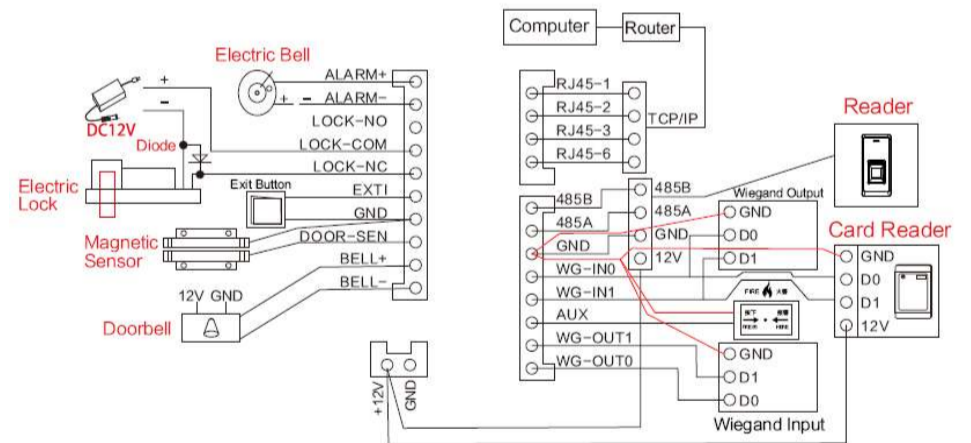
R&D TEAM
BEST SUPPORT

APPLICATION



INTERFACE

Wiring Diagram



ACCESSORIES



Philex WHOLESALE

Add.:

Tel:

www.prolabsecurity.com